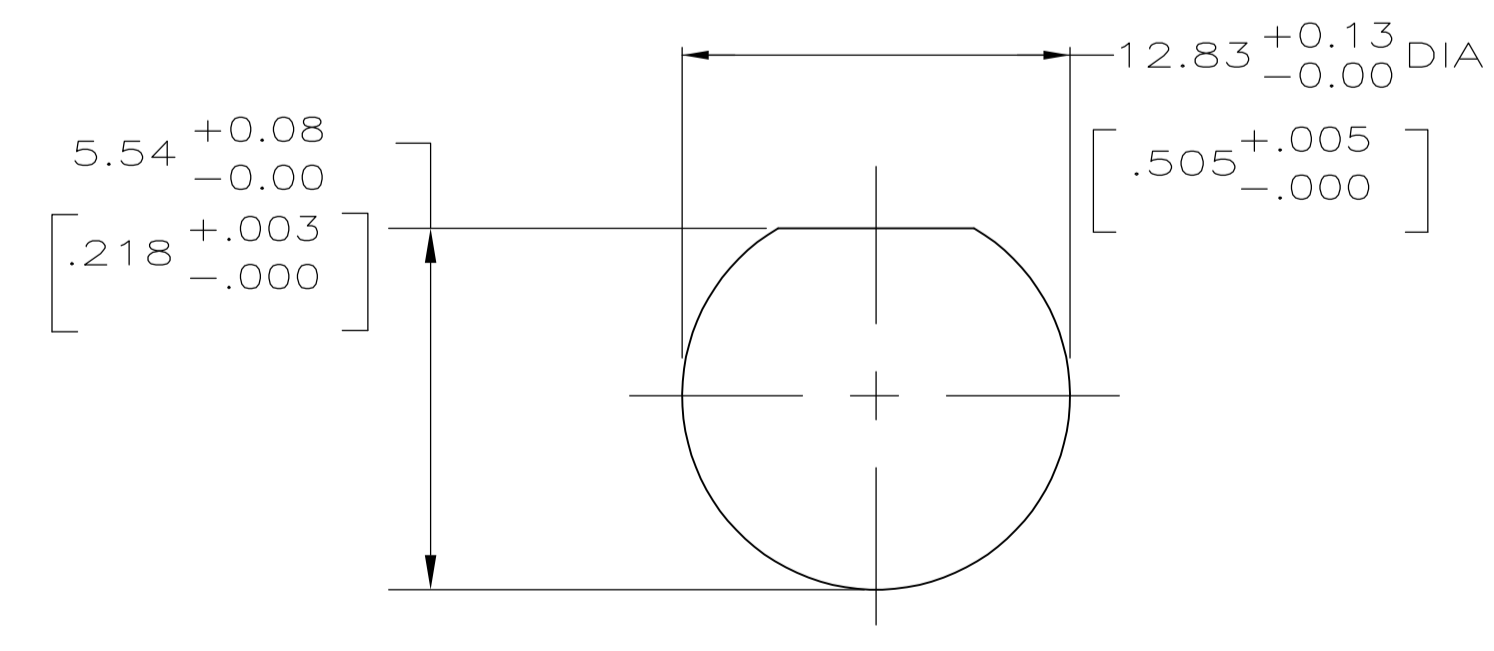
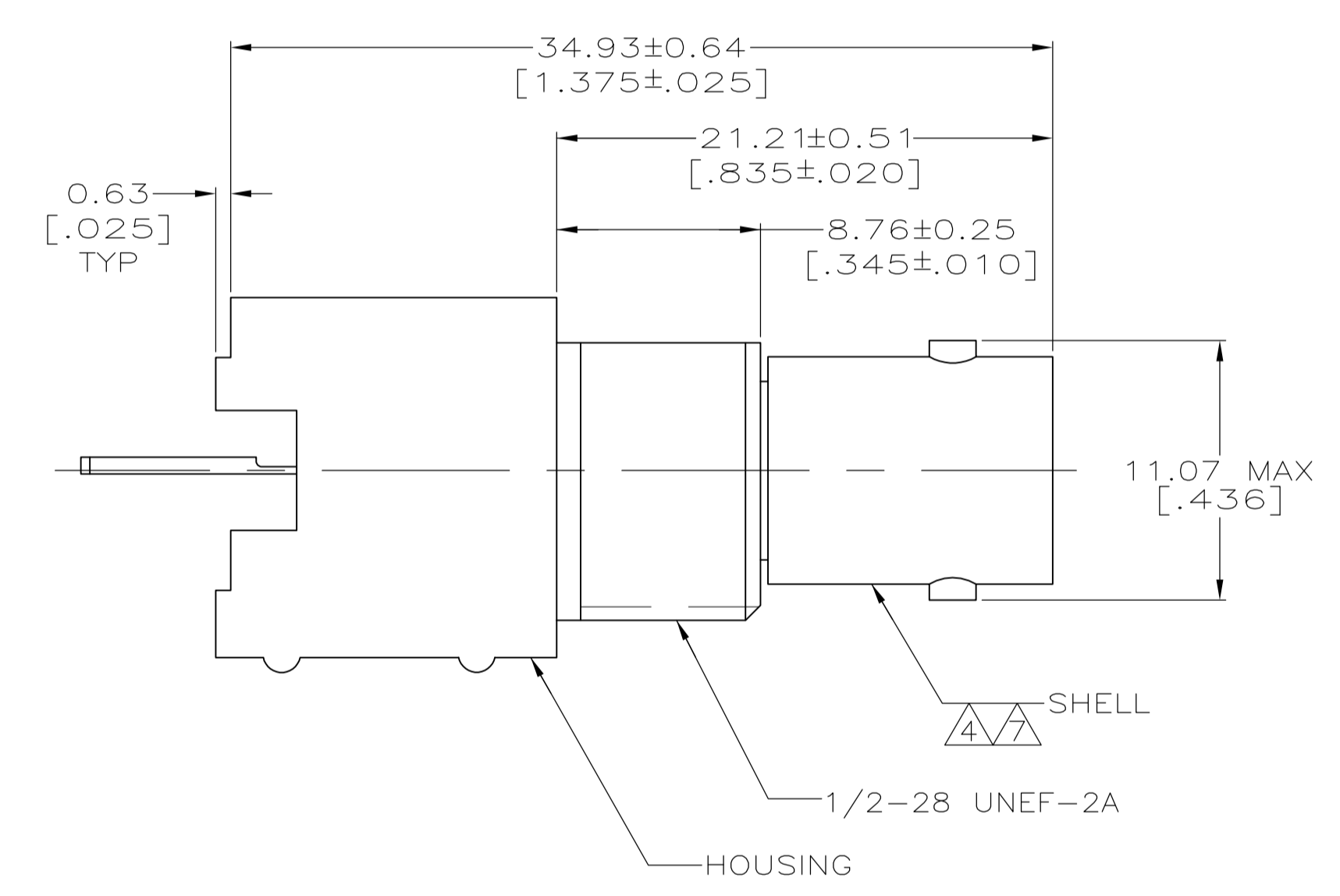
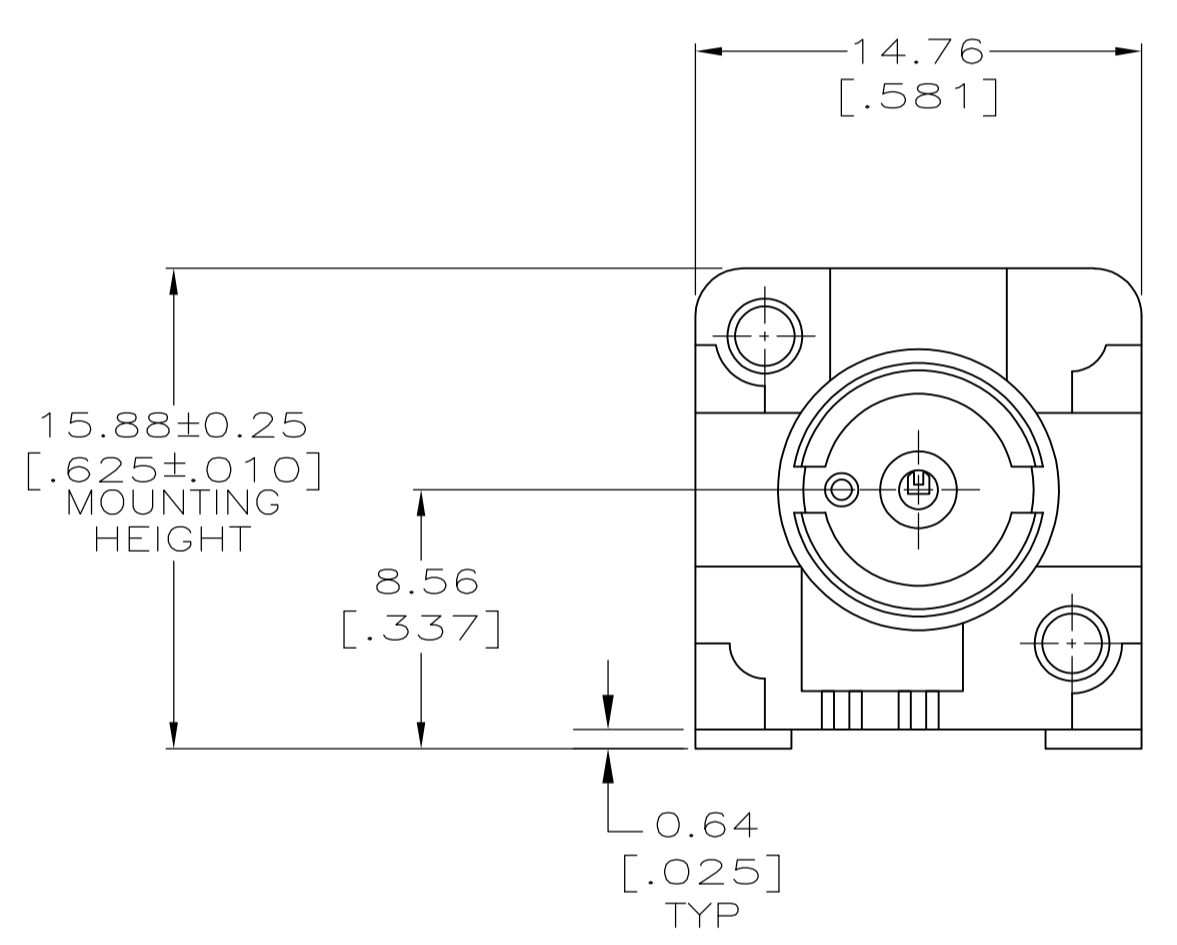
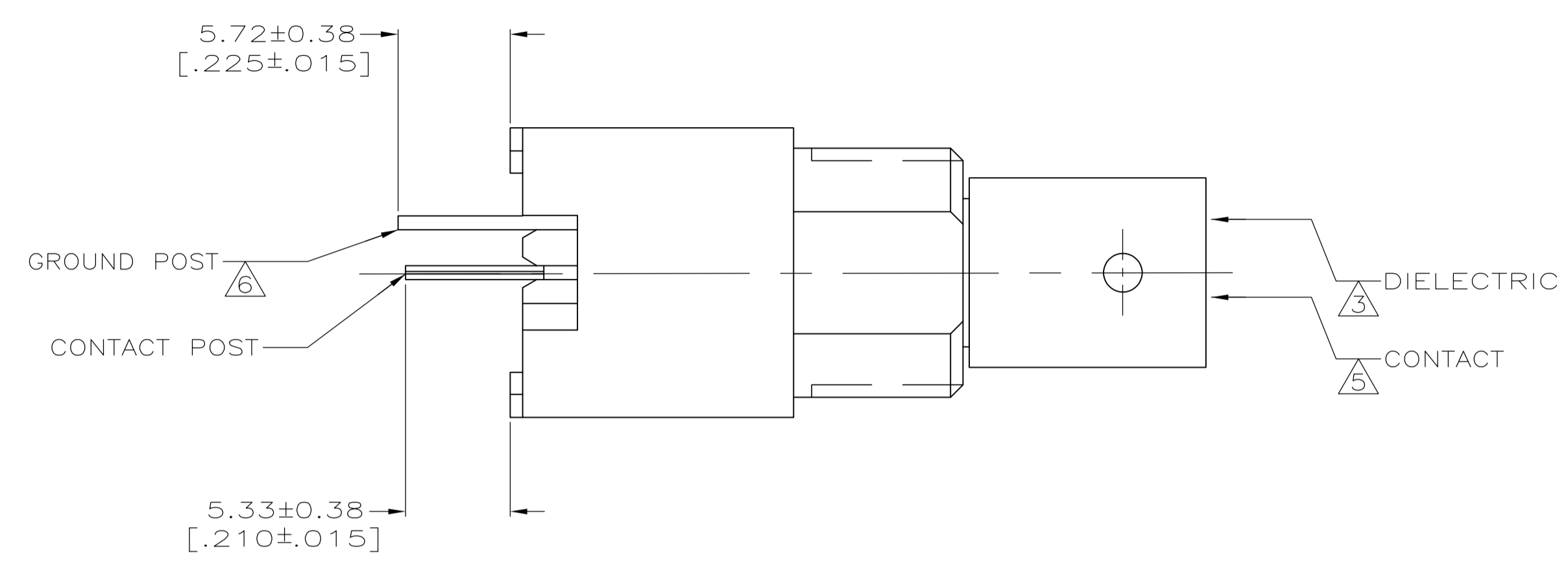
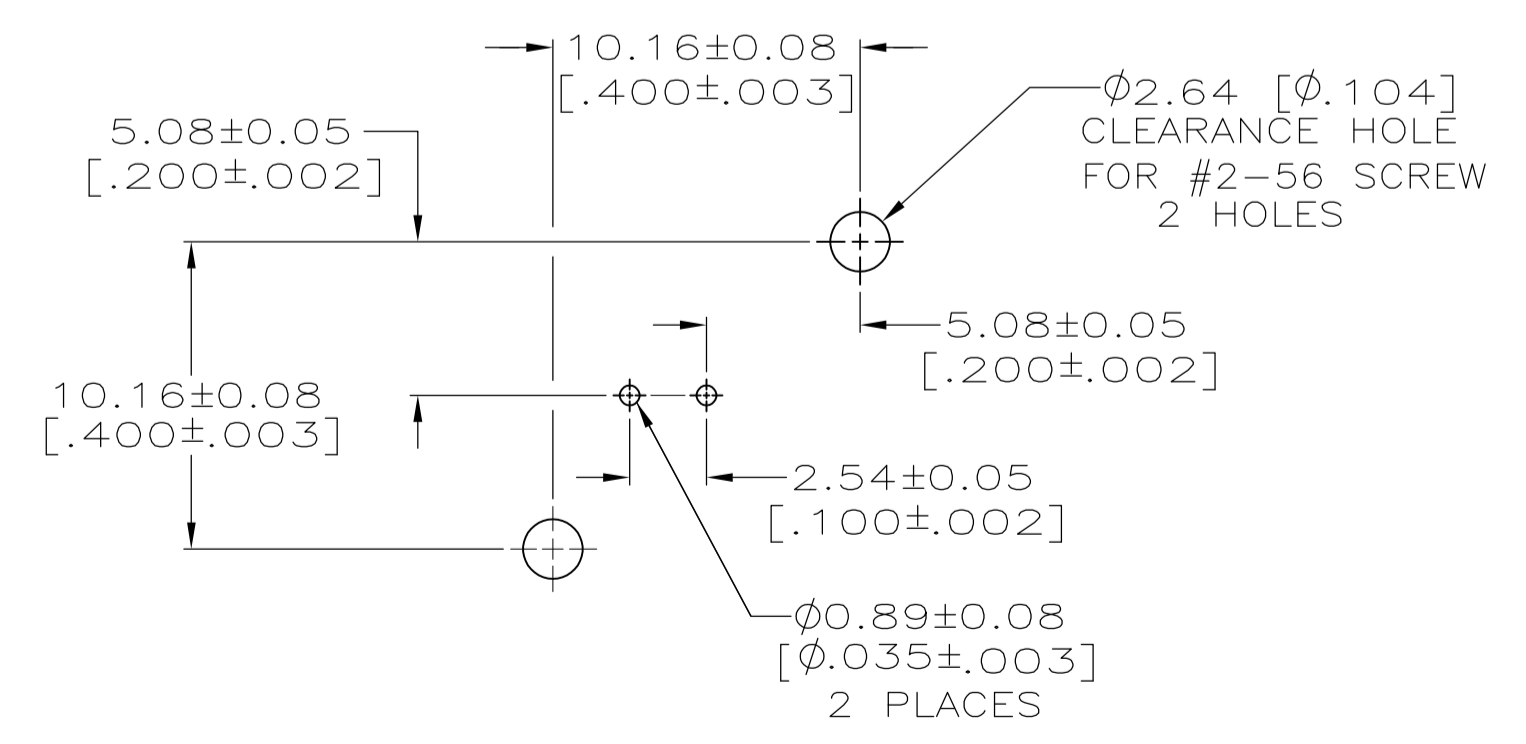


- 1 POLYESTER PBT PER MIL-M-24519, TYPE GPT-15F, UL94V-0 RATED, COLOR:NATURAL
- 2 POLYESTER PBT PER MIL-M-24519, TYPE GPT-15F, UL94V-0 RATED, COLOR:BLACK
- 3 POLYMETHYLPENTENE, GENERAL PURPOSE.
- 4 ZINC PER QQ-Z-363.
- 5 PHOSPHOR BRONZE PER QQ-B-750.
- 6 BRASS PER ASTM-B-453.
- 7 NICKEL PLATE PER QQ-N-290, 3.81 μm [.000150] MINIMUM THICK.
- 8 TIN PLATE PER ASTM-B-545, 3.81 μm [.000150] MINIMUM THICK.
- 9 GOLD PLATE PER MIL-G-45204, 0.76 μm [.000030] MINIMUM THICK.
- 10 SILVER PLATE PER QQ-S-365, 2.54 μm [.000100] MINIMUM THICK.
- 11 TIN PLATE PER ASTM-B-545, 3.81 μm [.000150] MINIMUM THICK.
- 12. SEE INSTRUCTION SHEET 2769.



RECOMMENDED PANEL CUTOUT



PCB CONFIGURATION

| | | | | | |
|------------------------|---------------------|----------------------|-----------------|------------------|-------------|
| OBSOLETE | 1 | 2 | 3 | 4 | 9-226993-0 |
| SUPERSEDED BY 226993-3 | 8 | 8 | 9 | 2 | 226993-6 |
| SUPERSEDED BY 226993-6 | 8 | 8 | 10 | 2 | 226993-5 |
| | 8 | 8 | 10 | 2 | 226993-4 |
| OBSOLETE | 8 | 8 | 9 | 1 | 226993-3 |
| OBSOLETE | 8 | 8 | 8 | 1 | 226993-2 |
| | 8 | 8 | 8 | 1 | 226993-1 |
| | GROUND POST PLATING | CONTACT POST PLATING | CONTACT PLATING | HOUSING MATERIAL | PART NUMBER |

| | | | | | |
|--|---------------|------------------|----------|---|--|
| THIS DRAWING IS A CONTROLLED DOCUMENT. | | DIN | 05-02-91 | Tyco Electronics Corporation | |
| DIMENSIONS: INCHES | | CHK | 6-11-91 | Harrisburg, PA 17105-3608 | |
| TOLERANCES UNLESS OTHERWISE SPECIFIED: | | APVD | 8-07-91 | NAME | |
| 0 PLC | ± - | PRODUCT SPEC | | JACK, VERTICAL, 50 OHM, PCB, SERIES BNC | |
| 1 PLC | ± - | APPLICATION SPEC | | 108-12078 | |
| 2 PLC | ± 0.20 [.008] | SIZE | | A1 | |
| 3 PLC | ± - | WEIGHT | | 00779 | |
| 4 PLC | ± - | SCALE | | 2:1 | |
| ANGLES | ± - | SHEET | | 1 of 1 | |
| MATERIAL | FINISH | CUSTOMER DRAWING | | REV Y | |